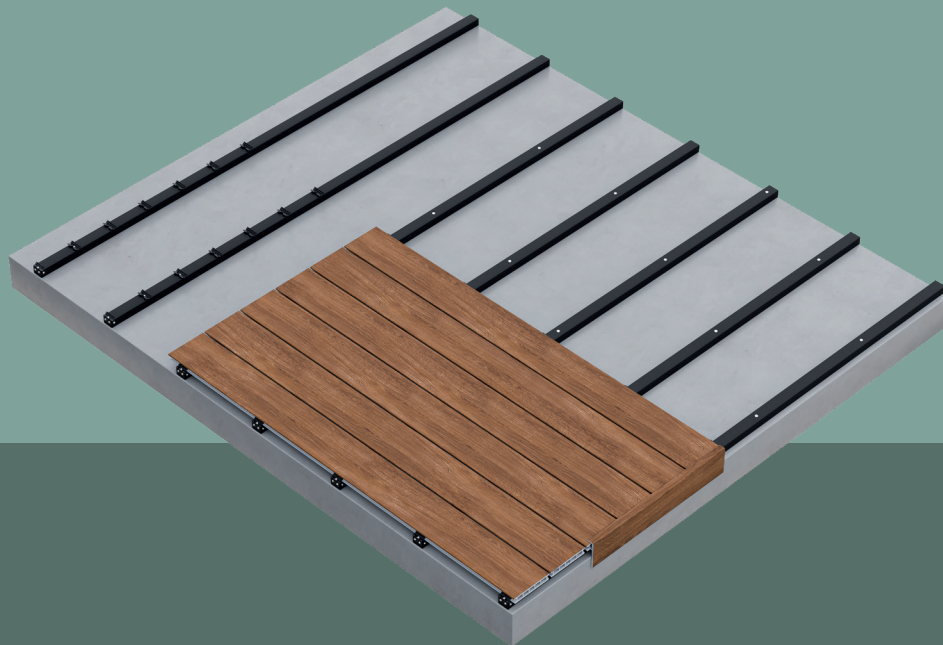


# INSTALLATION MANUAL



## BELLAME DECK BOARD

- *MADE IN FRANCE*
- *MODERN DESIGN*
- *SUSTAINABLE AND RECYCLABLE*
- *MAINTENANCE FREE*
- *DOES NOT ABSORB WATER*



**Installation  
manual on**  
[bellame-terrasse.com](http://bellame-terrasse.com)

# SUMMARY

**P3. General information**

**P5. Introduction to installation**

**P6. Preparation**

**P7. Fixing of joists**

**P9. Installation of BELLAME decking Boards**

**P12. Installation of finishing profile**

# GENERAL AND PRODUCTS

## IMPLEMENTATION

The process of installation of BELLAME deck boards is straightforward, provided that the elements are laid out properly and installation conditions are respected.

Upon request from the installation company, M.E.P. provides technical assistance during the implementation process

## SUPPLY

M.E.P. does not handle the installation itself; it is responsible for the distribution and delivery of the components of the BELLAME deck board system to its customers.

All other components must be directly sourced by the installer, following the recommendations in the installation instructions of the BELLAME deck board system.

It is imperative to use and combine the products represented in these instructions.

## USAGE

This installation guide applies to outdoor residential spaces (such as terraces and pool surrounds) and does not cover usage in public facilities.

For the latter, a preliminary technical feasibility study is required, in compliance with normative constraints. Our deck boards are designed exclusively for pedestrian outdoor use.

**WARNING:** In the event of additional deliveries, you may encounter a difference in shade (if you wish to expand your terrace or if you are missing a few boards).

## MAINTENANCE

BELLAME deck board system do not require special maintenance: Clean immediately in case of soiling (a mild soap can be used).

Maintenance can also be done with a high-pressure cleaner (max 80 bars and without rotary head) at a distance of 30 cm. Always use non-aggressive cleaners.

## WARRANTY

Due to their intrinsic quality of rot resistance, BELLAME deck boards are protected against attacks from beetles or fungi. They exhibit resistance to aging and adverse weather conditions. In the event of a defect observed at the time of purchase, M.E.P. will only replace the defective product. It is imperative to use and combine the products represented in this manual.

## STORAGE

All our profiles must be stored flat and protected from adverse weather conditions and sunlight.

## NECESSARY TOOLS



DRILL



CIRCULAR SAW  
(FINE-TOOTHED BLADE)



PVC GLUE



METER

## PICTOGRAMS



GLUE

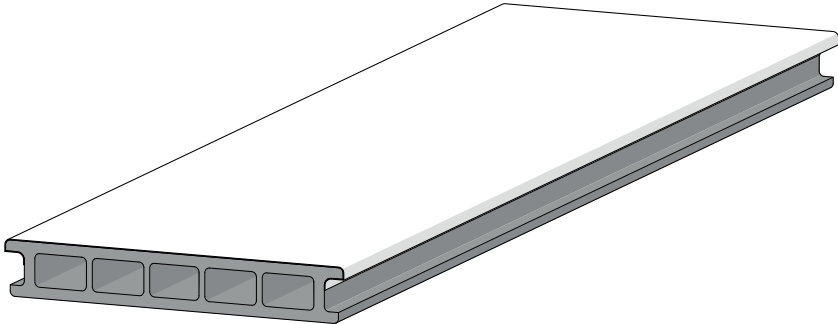


CORRECT



INCORRECT

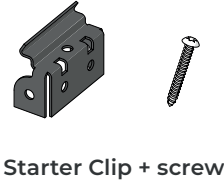
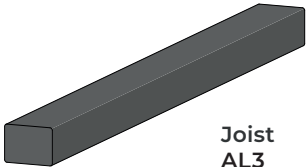
# BELLAME DECK BOARD



## ACCESSORIES

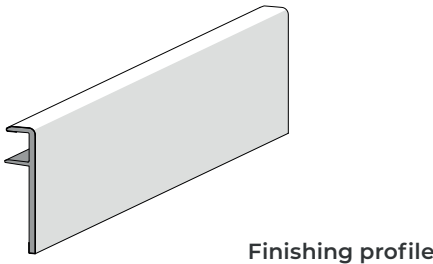
### Fixings

---



### Finishing

---



# INTRODUCTION

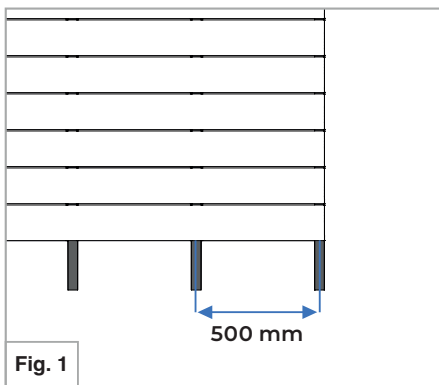
## SUBSTRATE PREPARATION

- The deck must be supported by a flat structural element such as a concrete slab.
- Check the flatness and perfect stability of the support.
- Implement a slight slope to facilitate the drainage of rainwater.
- The joists will be arranged parallel to the slope of runoff.

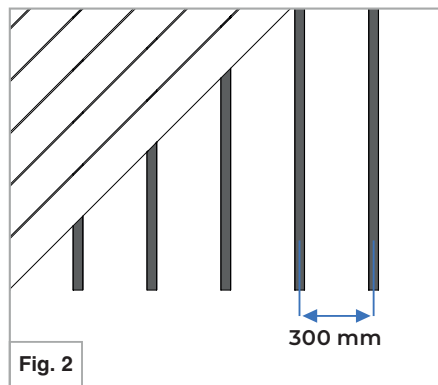
## DIRECTION OF BOARDS

The spacing between joists is determined based on the choice of orientation of the boards.

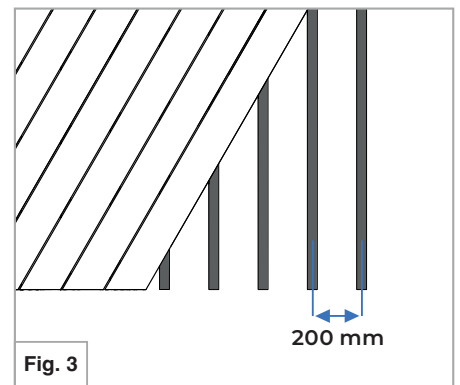
### STRAIGHT POSE



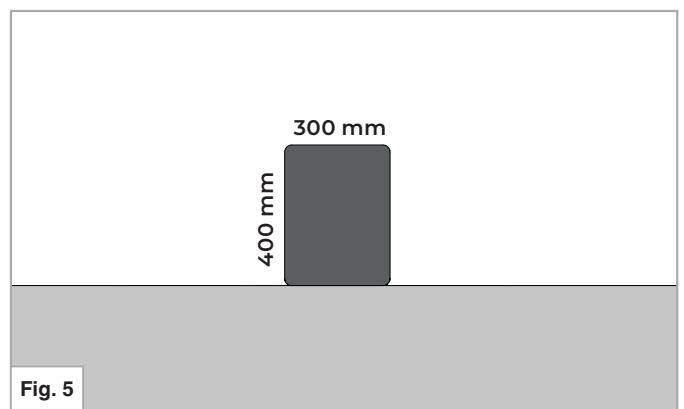
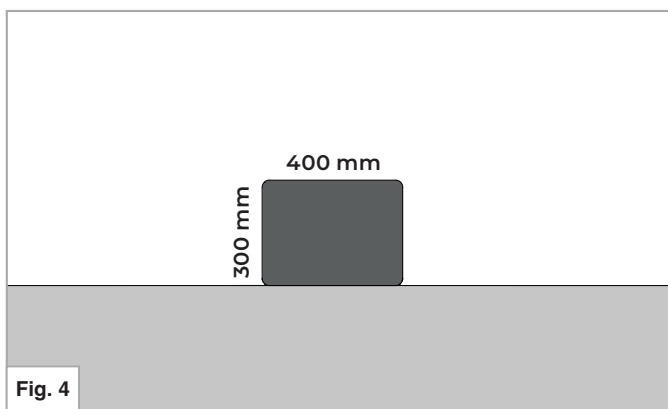
### LAYING AT 90°



### LAYING AT 30°

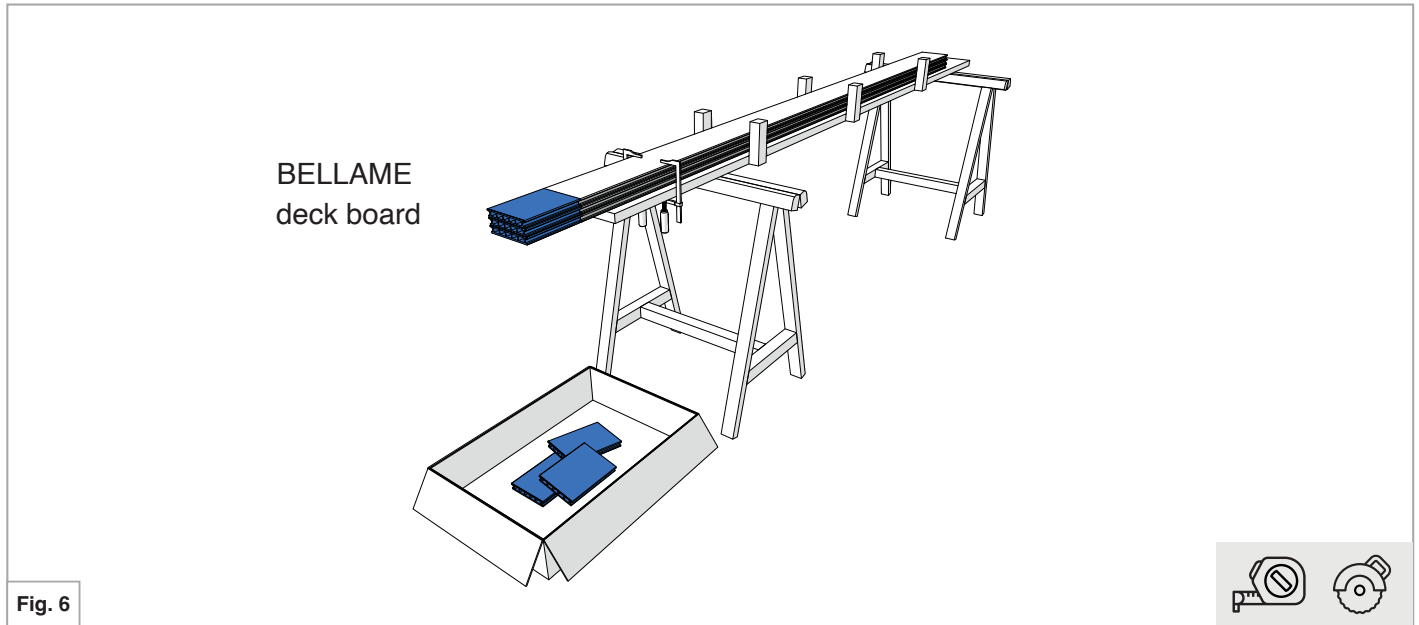


## ORIENTATION OF JOISTS

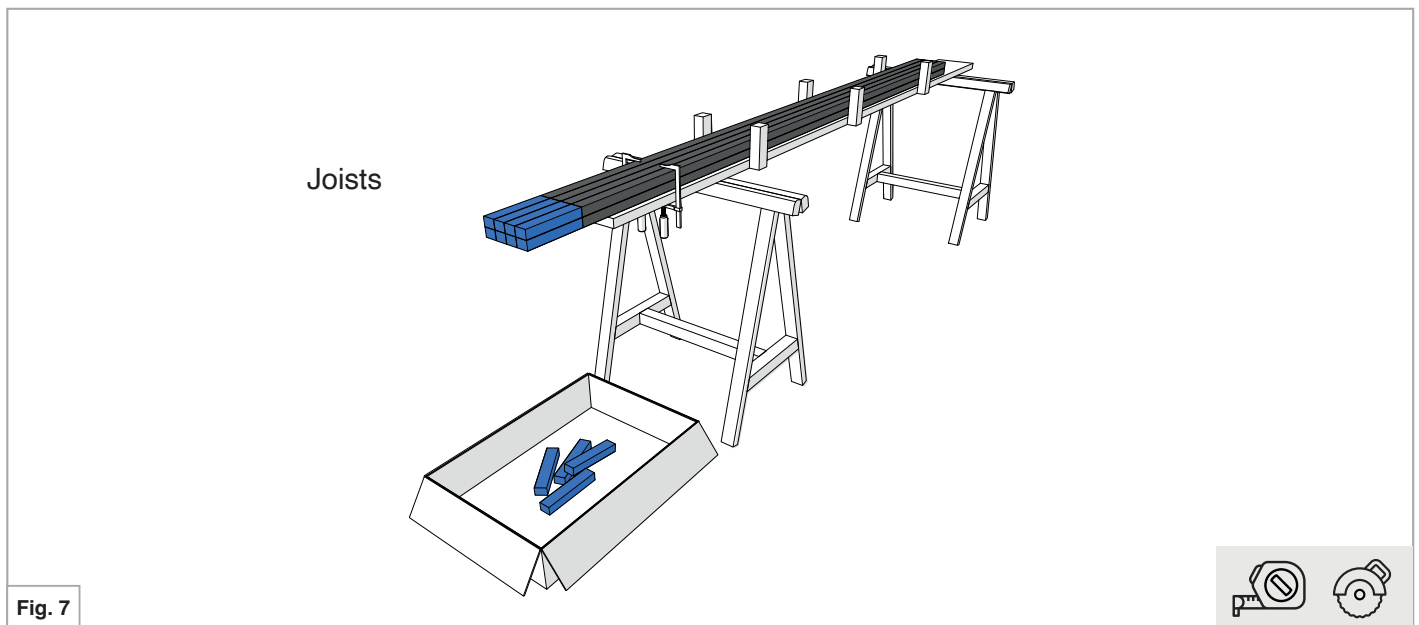


# PREPARATION

## CUTTING PROFILES

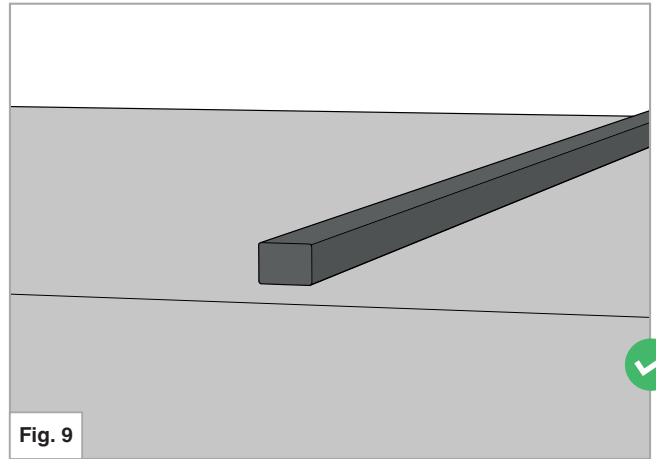
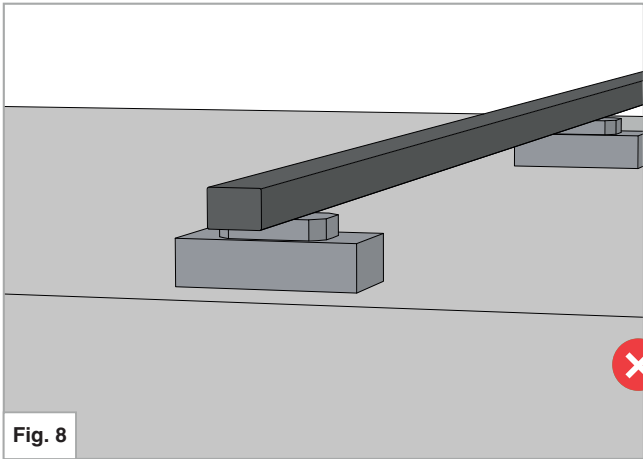


All cuts must be perpendicular to the profiles.

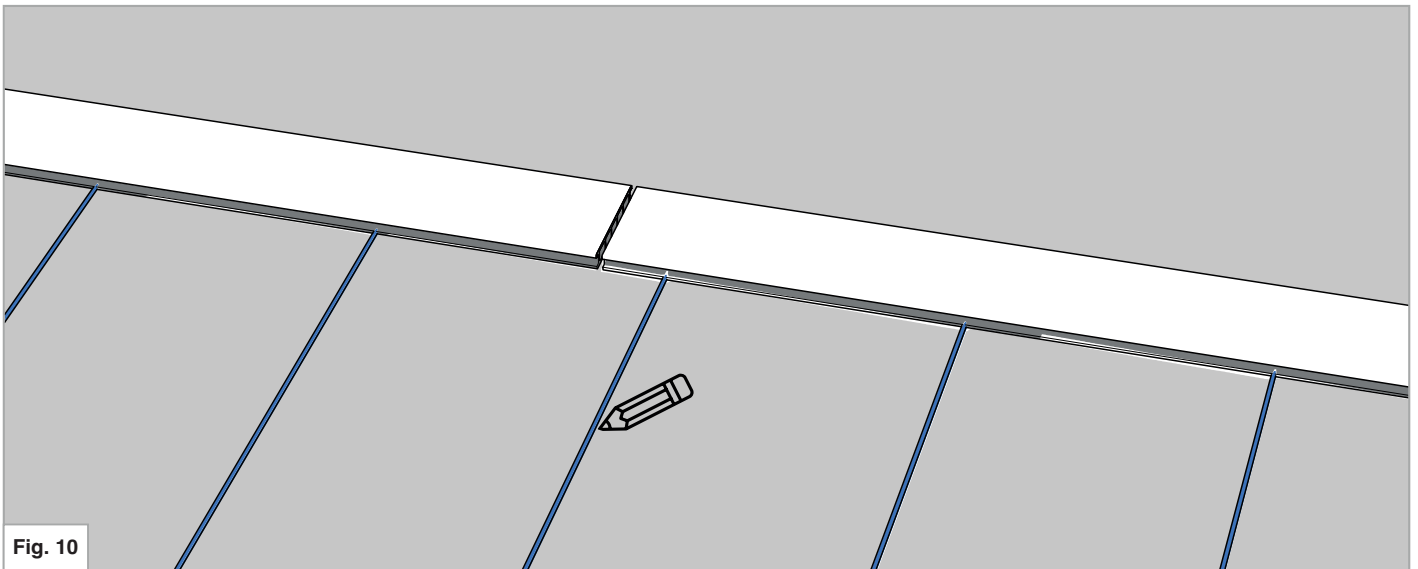


All cuts must be perpendicular to the profiles.

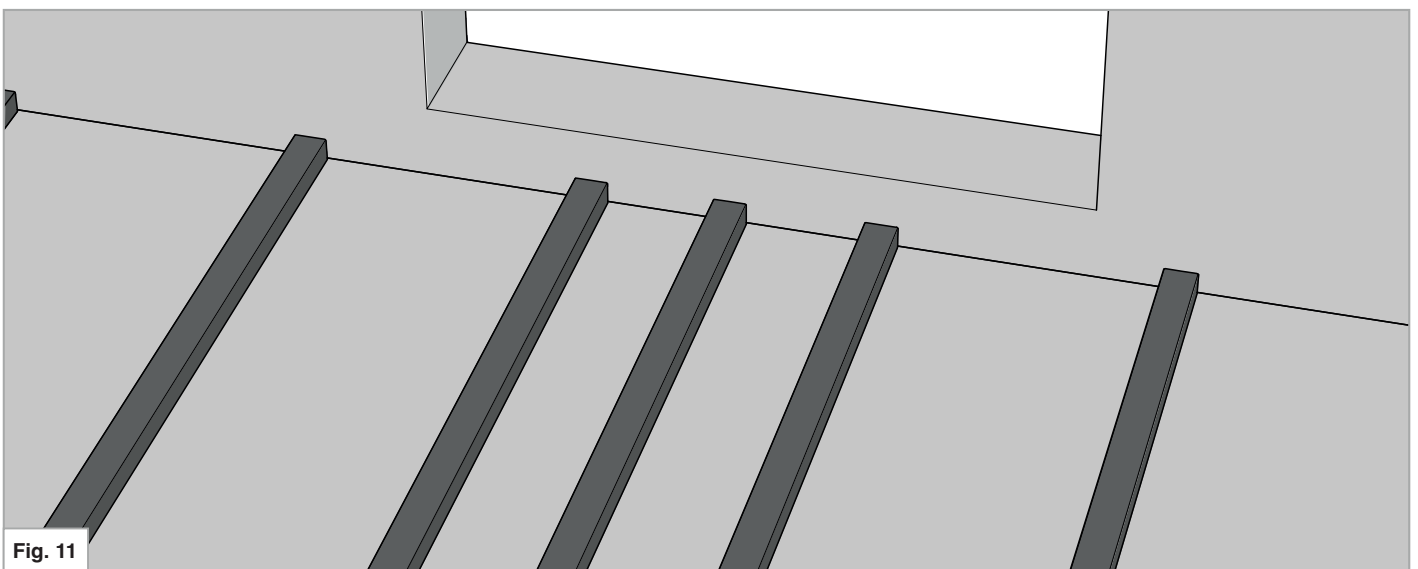
# FIXING THE JOISTS



Joists are not structural and should not be raised using posts or any other means.

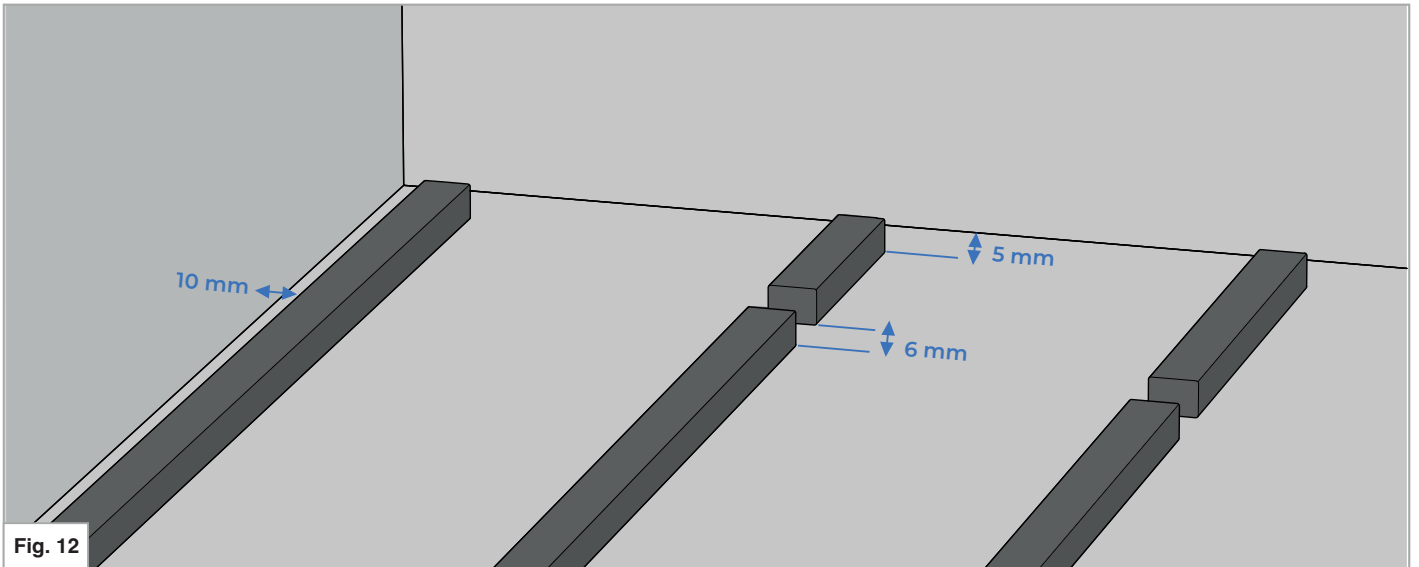


Place the first deck board on the ground and trace the location of the joists beforehand, respecting the spacing determined by the orientation chosen for the deck board (Cf. Fig 1, 2 and 3).

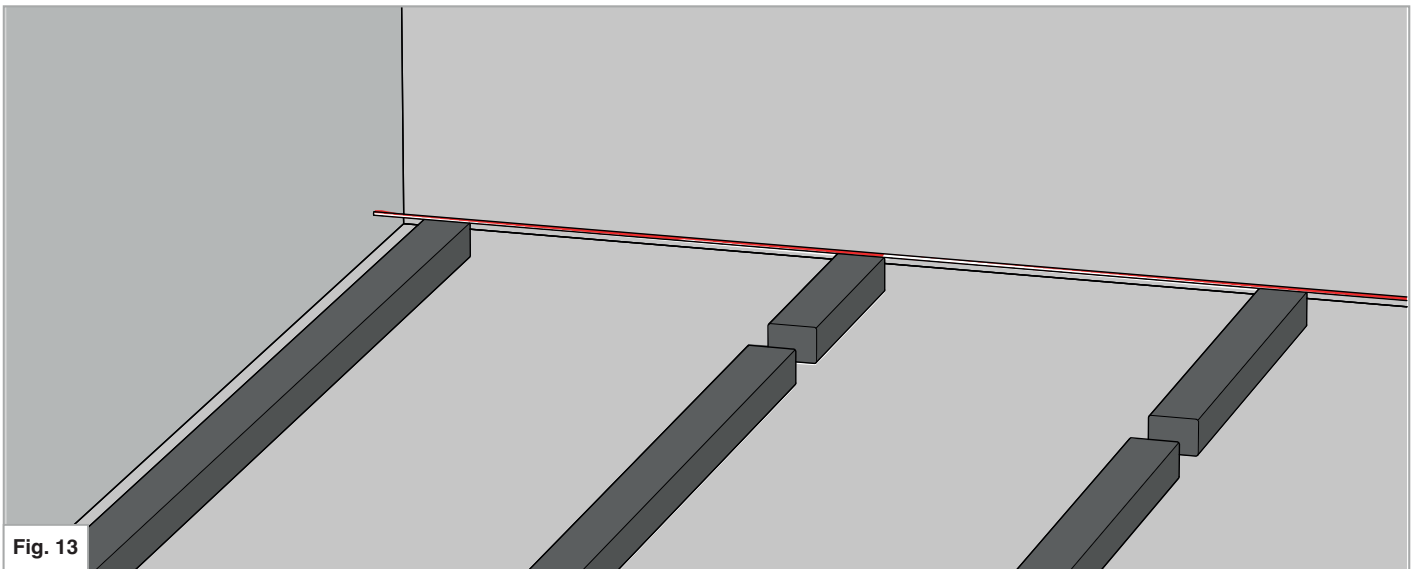


In front of each door, bay window or frequent traffic area, double the joists.

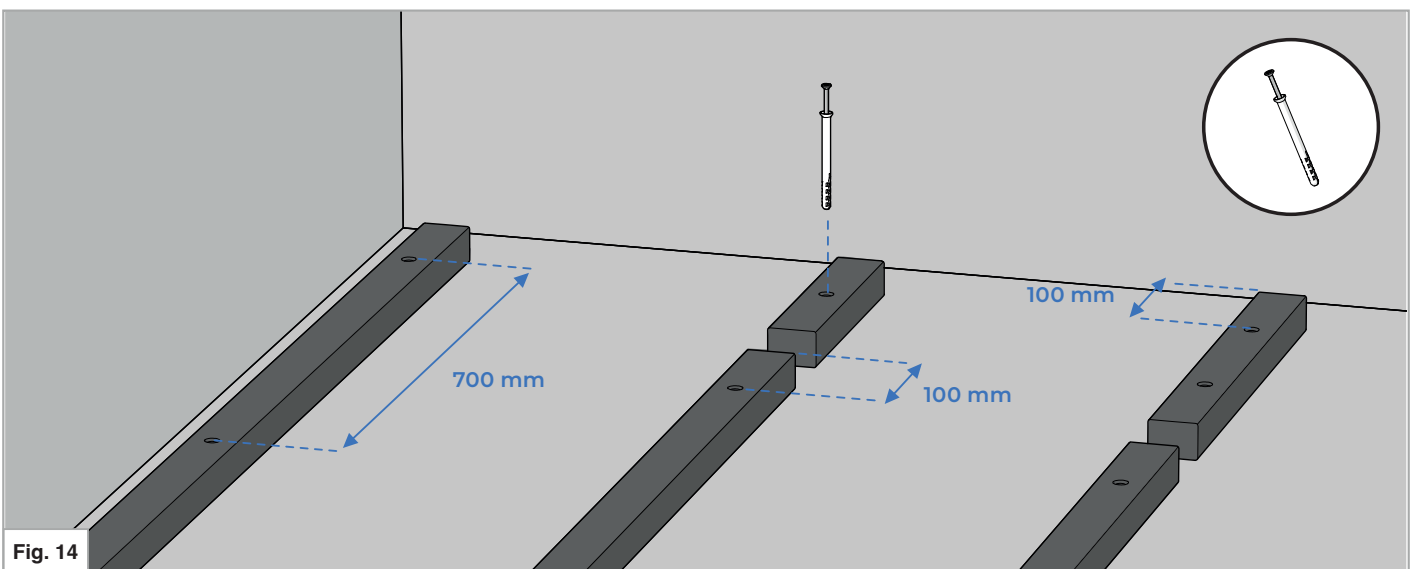
# FIXING JOISTS



Provide an expansion clearance at the periphery and at the extremity of the boards, respecting the distances above.



The joists must be perfectly aligned at the edges.  
To do this, use a cord to create a straight line.



Fix the joists using MEP hammer anchors, respecting the drilling distances above.



# INSTALLATION OF DECK BOARD BELLAME

## INSTALLATION OF THE STARTING CLIP

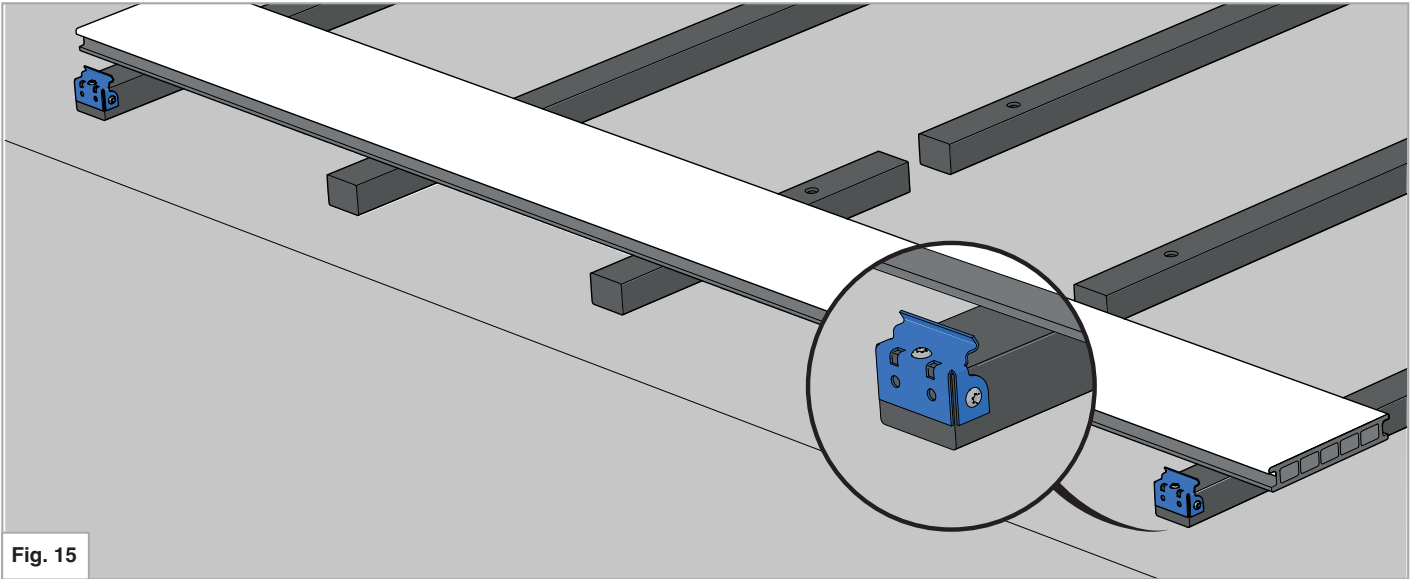


Fig. 15

Attach the starting clips to the ends of a length of board on the first and last joists.

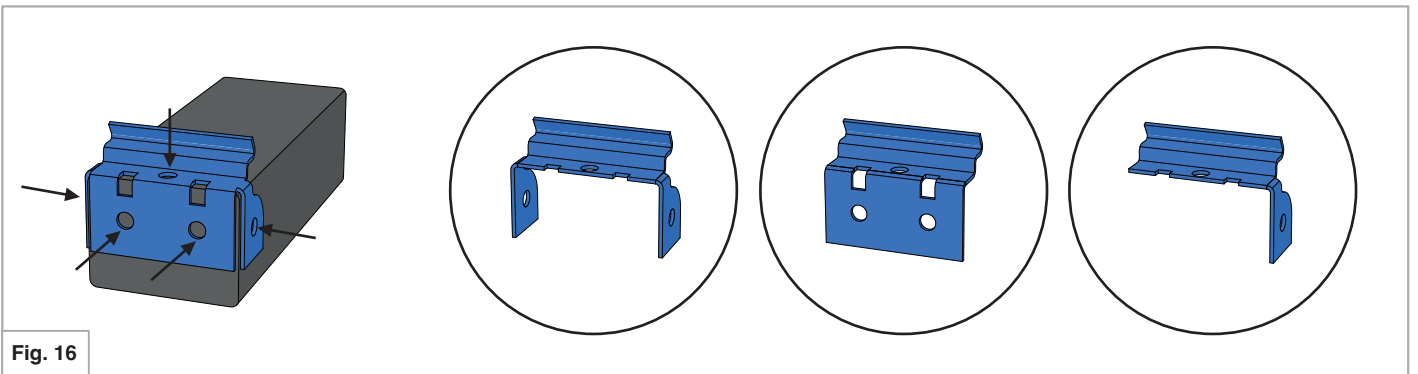


Fig. 16

Fix the starting clip as desired; it must have at least 2 fixing points. The MEP starting clip can be pre-cut with a grinder according to the shape and constraints imposed by the joist.

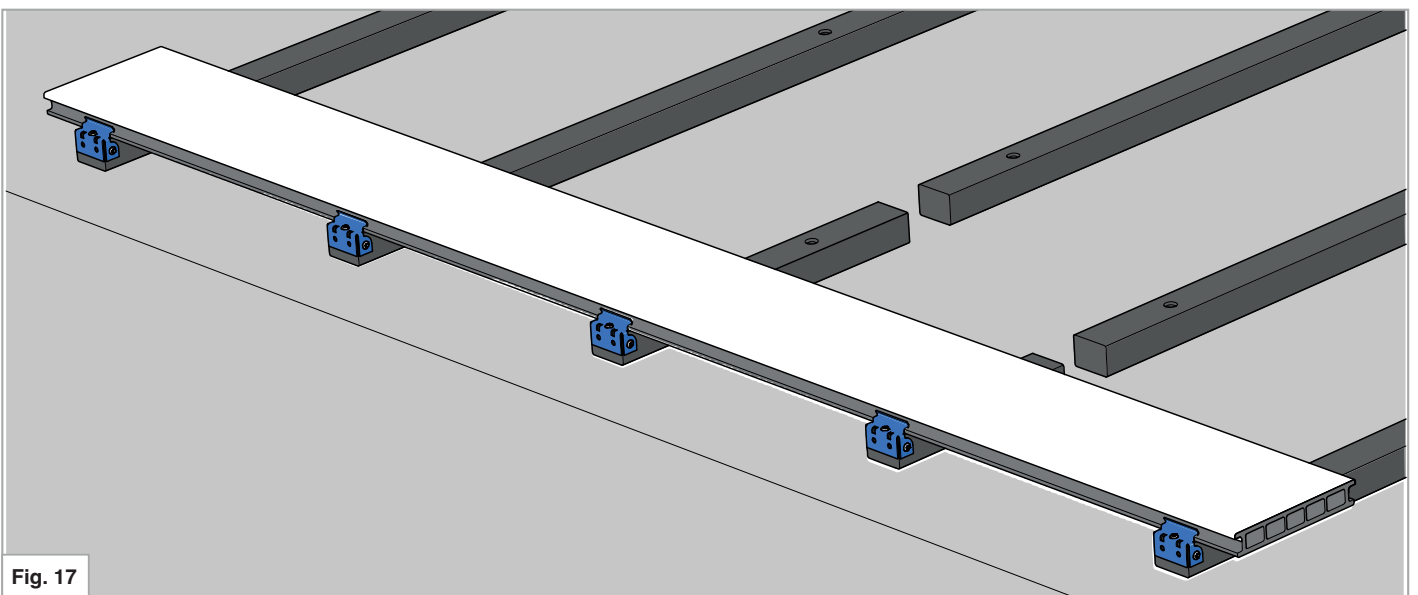
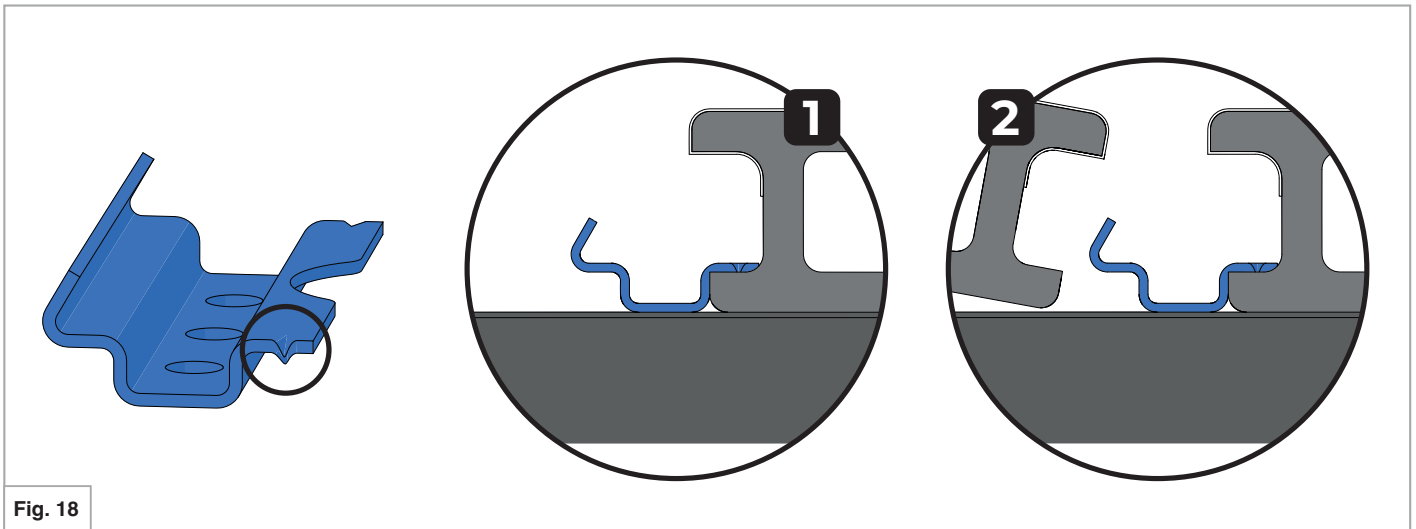


Fig. 17

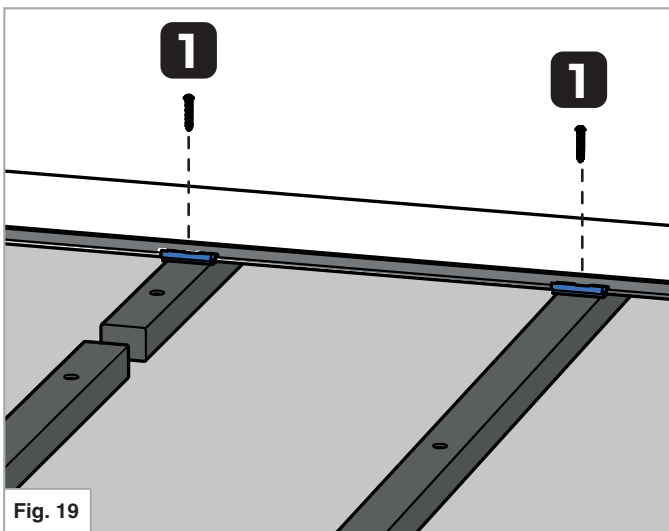
Once the board is in place, align the remaining clips and gradually secure them. To facilitate the installation of the clips, the board can be removed progressively

# INSTALLATION OF DECK BOARD BELLAME

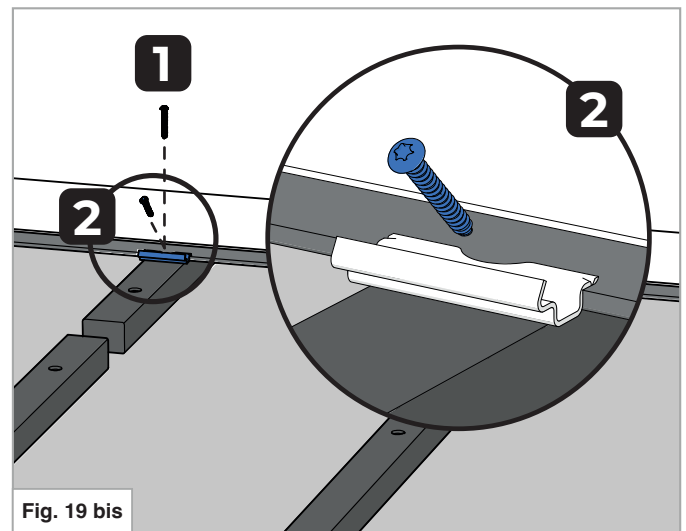
## INSTALLATION OF THE BELLAME CLIP



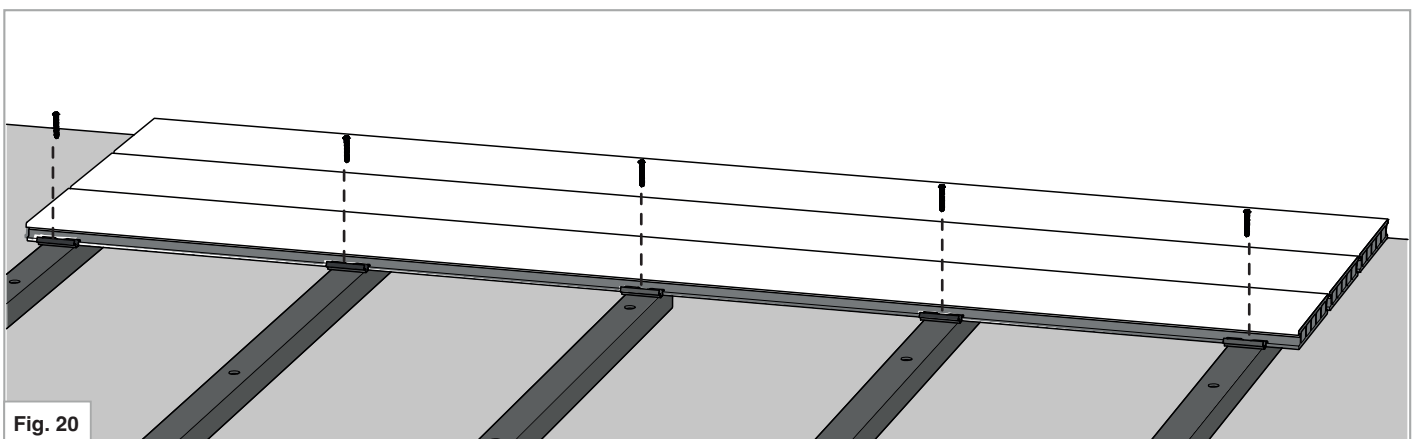
The BELLAME clip has hooks which ensure the deck boards are held in place; these must be in the direction of the first deck board. The rounded edge assists in positioning the next board.



The deck boards are fixed using a clip and a screw positioned vertically in the center.



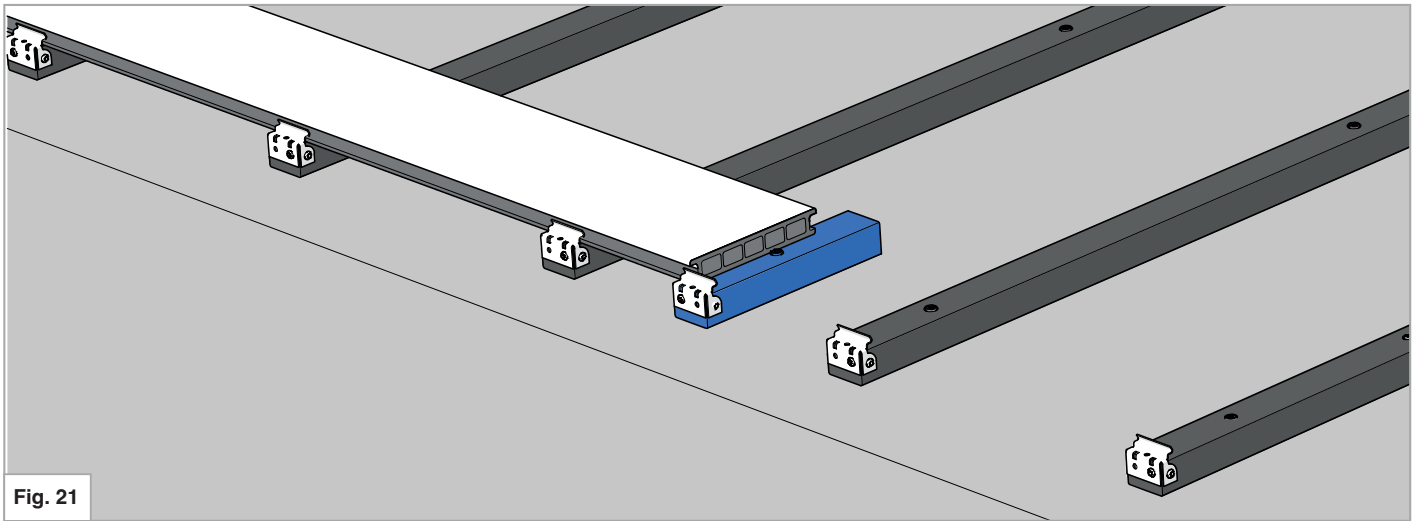
It is necessary to create a fixed point in the middle of each the deck board in order to control expansion. This should be positioned on the clip closest to the middle of the deck board, as illustrated above.



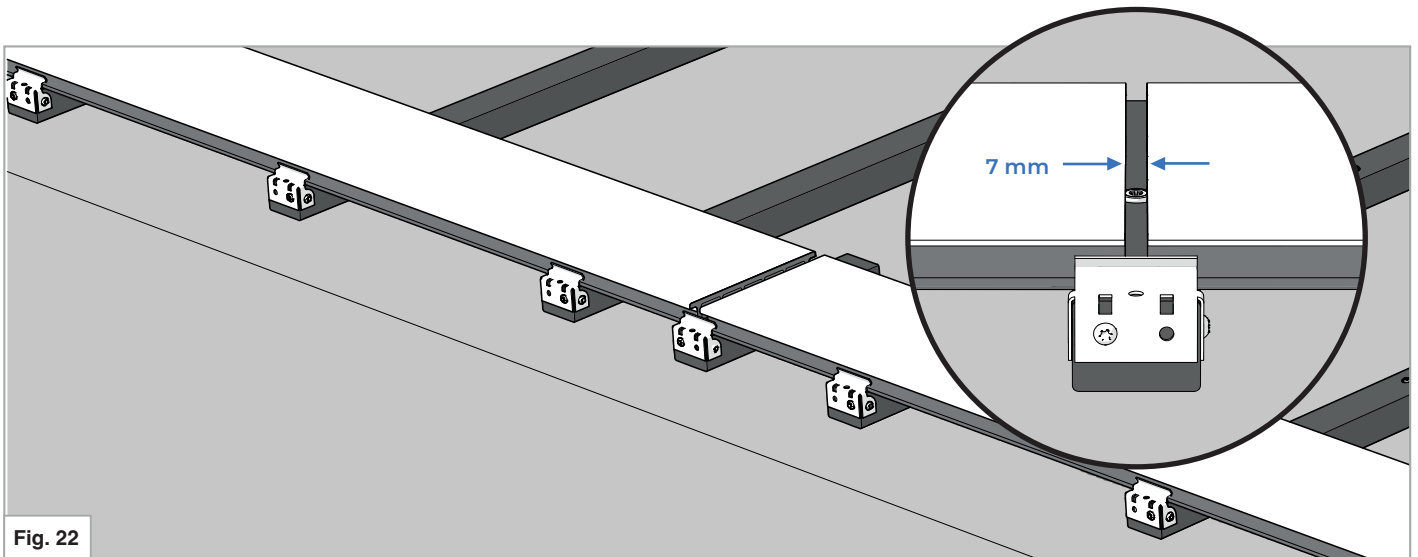
Install the deck board and clips. Repeat the operation over the entire terrace.

# INSTALLATION OF DECK BOARD BELLAME

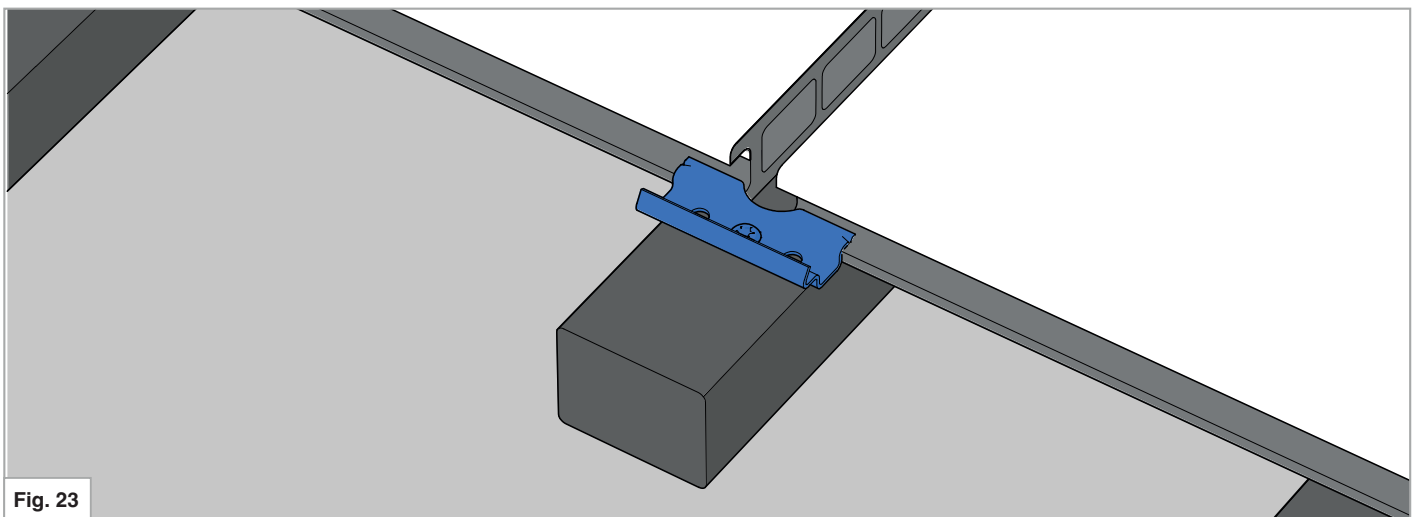
## JOINTING BETWEEN TWO DECKING BOARD



To facilitate the laying of the deck board at jointing, cut a piece of a joist of a length at least 200 mm and secure it at the joint.



The gap between 2 BELLAME deck board is 7 mm.



Attach a first clip, insert the deck board, and add the second clip to finish the joint.  
The deck boards are thus maintained.

# FINISHING PROFILE INSTALLATION

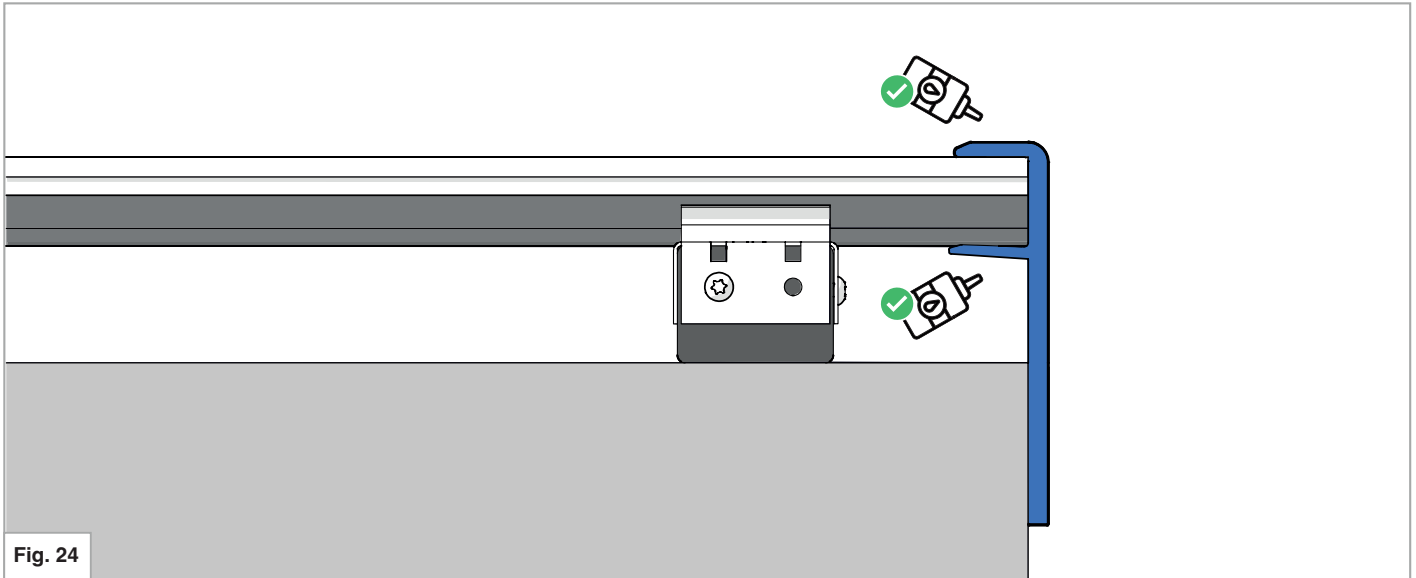


Fig. 24

The finishing profile is fixed by gluing with MEP PVC glue.

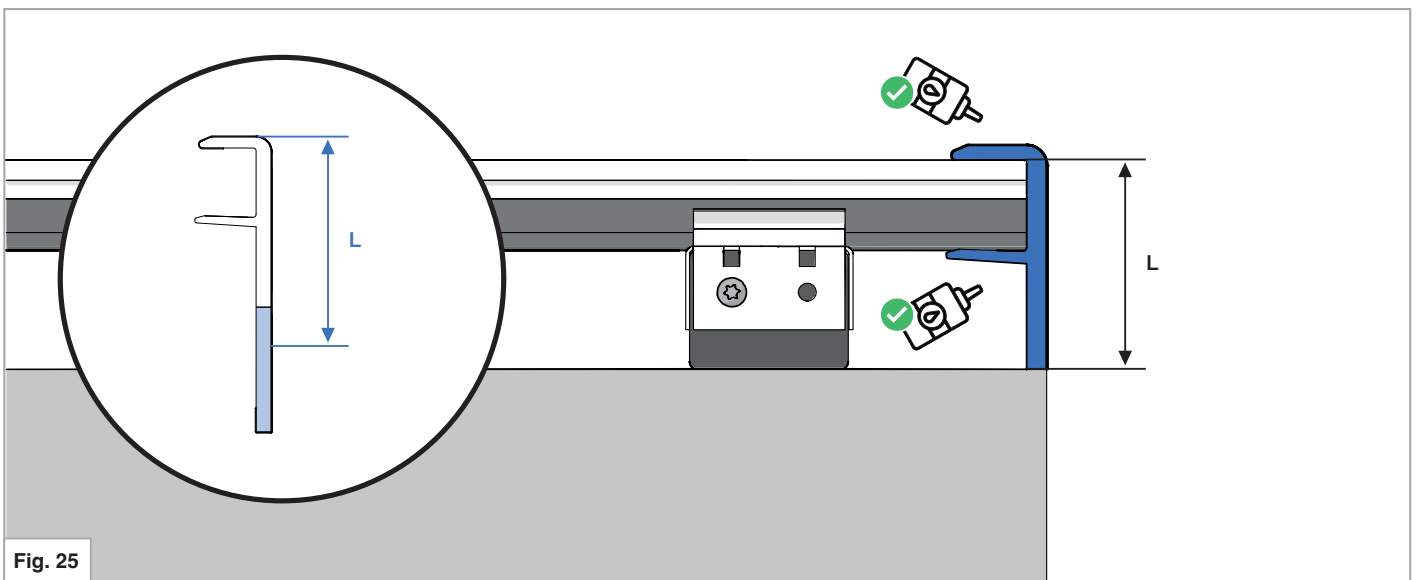


Fig. 25

If the height of the finish is too high, it can be adjusted by trimming it lengthwise.